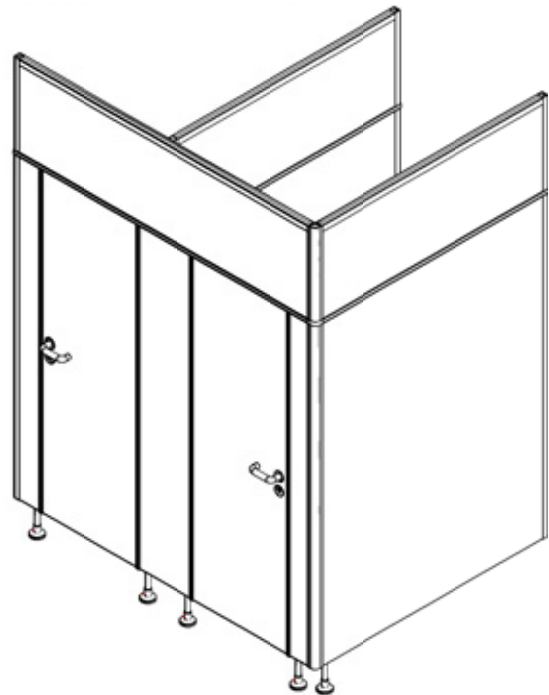
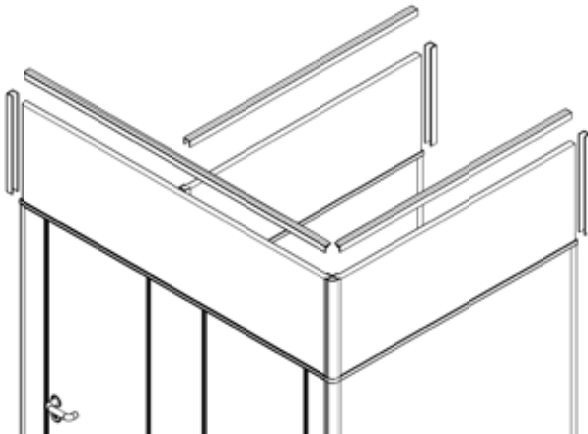


**The following parts are required:**

- Electric drill with various masonry and HSS bits
- Spirit level
- Small wooden wedges
- Various Philips screwdrivers
- Hammer
- Standard tools
- Countersink drill
- Aluminium saw

**Short cuts for parts**

- Top panel TW - Top panel partition
- Top panel SW - Top panel side wall
- Top panel VF - Top panel front



# INSTALLATION INSTRUCTION

## DESIGN 30 WITH TOP PANEL



### Cutting of vertical U-profiles and of the corner profile

After installation of the system cut the U-profiles and the corner profile to length.

### Fastening of U-profiles to the wall

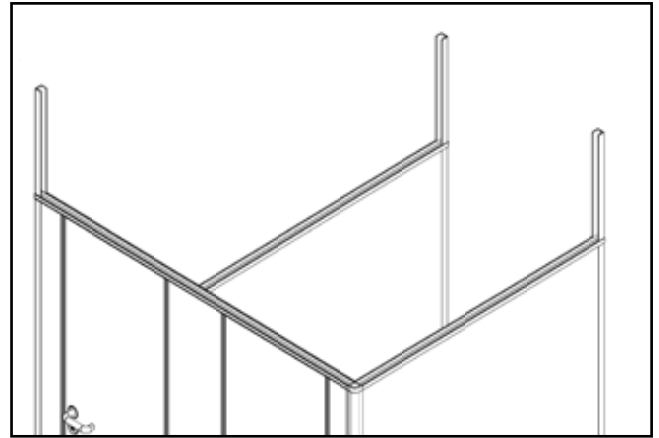
Watch out for tubes and pipes!!

The U-profiles are only fastened in the upper third!

Drill 8 mm holes and insert 8 x 51 mm plugs.

Fix the U-profiles with washers and Spax screws

5 x 50 mm.



### Cutting of the U-profiles for the ceiling

Cut the U-profiles 30 mm for the TW, SW and front to length.

Formula:

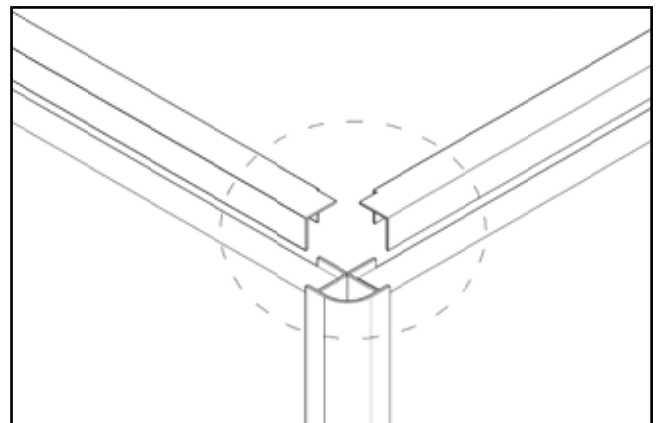
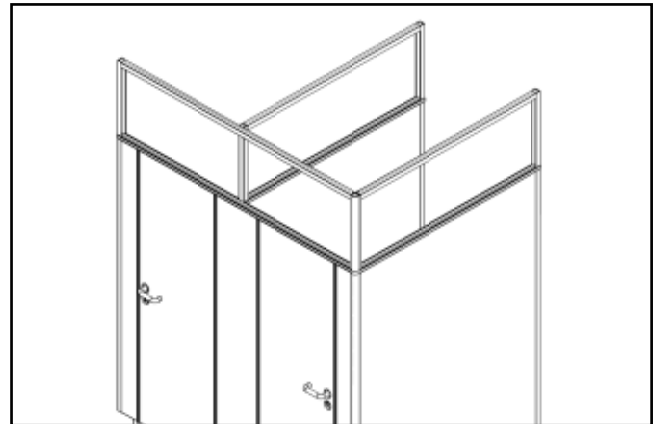
TW axial dimension cubicle minus 76 mm.

SW axial dimension minus 58 mm is the dimension for the outer side.

SW axial dimension minus 76 mm is the dimension for the inner side.

VF axial dimension minus 58 mm is the dimension for the outer side.

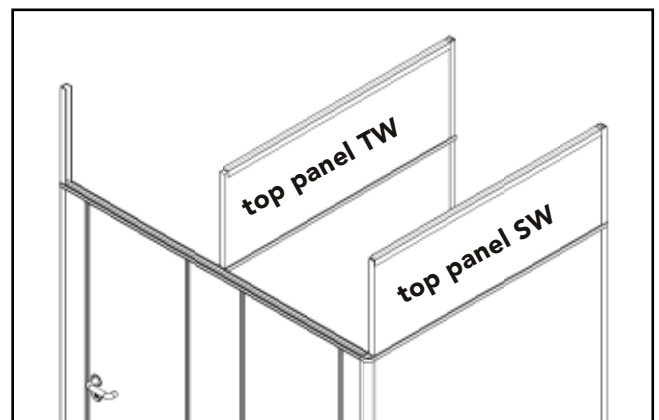
VF axial dimension minus 76 mm is the dimension for the inner side.



### Inserting of top panels above TW and SW

Place the panels in the U-profiles.

Now push the cut U-profiles from the front over the TW and SW panels.



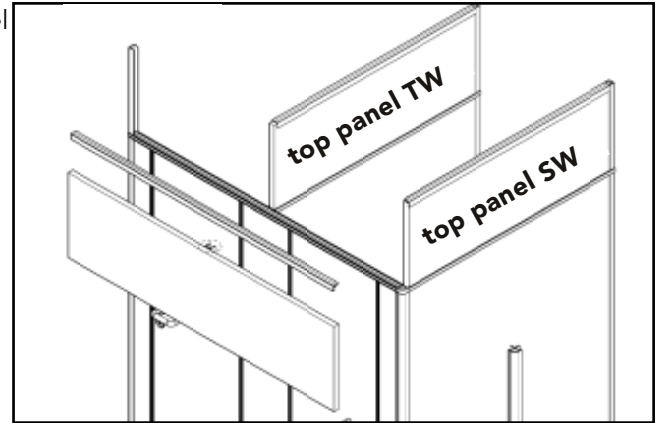
The U-profile is now screwed upright (30/33/30) onto the panel of the front.

Determine the exact position of the U-profile!

Pre-drill with a 4,3 mm drill to a depth of approx.

1 mm.

The fastening is done with screws 4,8 x 16 mm.



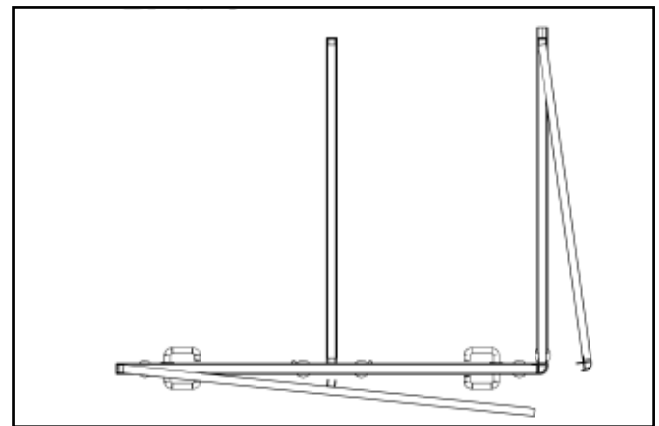
## Inserting of the panels above the front

### Attention!

For multi-cubicle systems it is necessary to employ a second fitter.

First insert the front panel into the U-profile at the wall. The second fitter pulls the SW panel slightly outwards.

See picture.

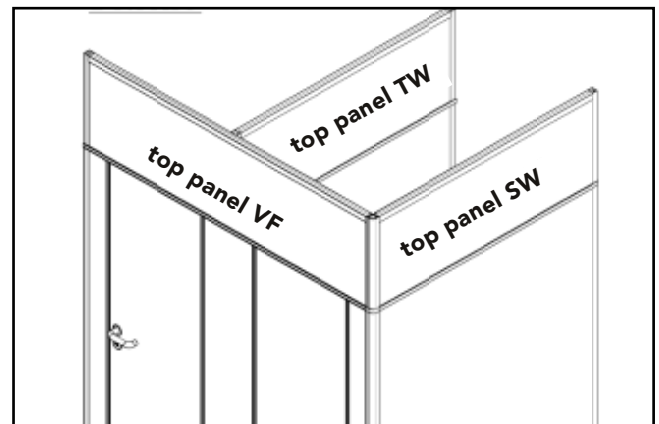


The corner profile is placed on the top of the side wall panel.

Now simultaneously push the panel of front and side wall to the correct position.

Slide the U-profiles to the ceiling and pre-drill 4,3 mm from the inside of the U-profiles and fasten with 4,8 x 16 mm screws.

Do the same for the corner part.



### Installation at single cubicles

Since the U-profiles are fastened only in the upper third of the U-profile, the U-profiles on the right and left are only folded forward so that the panel can be pushed in from below.

The rest of the installation is carried out as described above!

